



Gas sensor GSE 677 Ex for detection of Nitric Oxide NO



Mode of operation

Through the diffusion of nitric oxide NO into the inside of the measurement cell, a reaction with the electrode will take place. The product at the working electrode then oxidises. The oxygen molecule used for this is replaced from the ambient air. This results in the very long service life of the measurement cell, which, from experience, can operate for several years.

The measured gas concentration is linear to the electric output signal of the gas sensor. The potentiometers and the Jack 3,5 mm connector are located at the side of the sub case on the sensor housing. This design allows a „one-man“ calibration.

When the sensor is mounted in a sampling system (Pump system), the lifetime can be shorter because the flow absorbs the electrolyte. The cell is sensitive to solvent vapours.

For a maximum accuracy the detector should be calibrated using a gas mixture containing 75% of the measuring range; the carrier gas has to be synthetic air.

Performance Characteristics

Sensitivity:	0.5 ppm
Measuring range:	max. 1'500 ppm / linear
Standard calibration:	0...50 / 0...100 ppm
Response time t 90:	≤ 15 sec
Operating temperature:	-20 °C ... +50 °C
Start up after reconditioning:	max. 1 h
Pressure range:	atmospheric ± 10%
Air humidity:	15...90% non condensing
Position sensitivity:	none
Long term output drift:	< 2% / month
Life span at 20 °C:	at least 2 years depends on the application

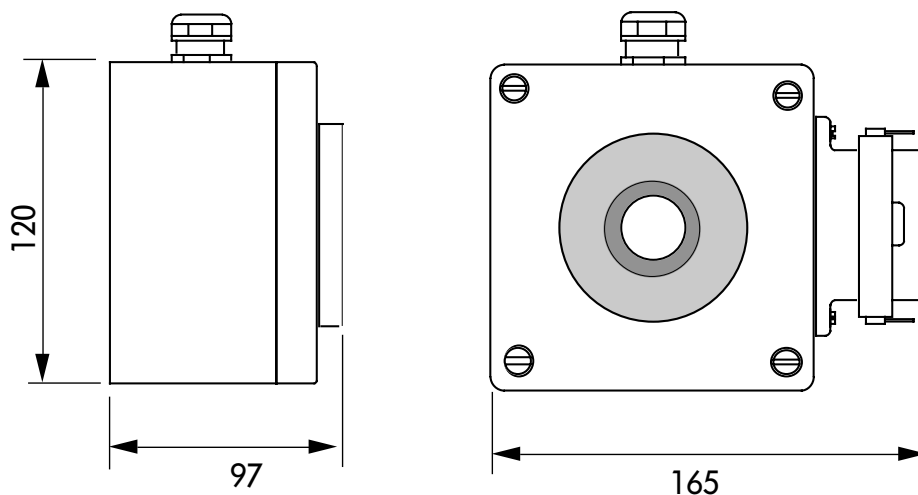
Sensor electronic specification

Cable:	2-core cable, shielded
Power supply:	13.5...30 VDC
Sensor current:	max. 60 mA
Output signal:	4...20 mA / max. 60 mA
Operating temperature:	-40 °C ... +85 °C

Inspection (Maintenance)

The sensor and the electronic require an inspection. Routine calibration is recommended once or twice a year.

Dimensions



cover cap for:
 - calibration potentiometer
 - output signal connection
 (3,5 mm jack)

Cross sensitivity to other gases

Test gas	concentration of the test gas	display on the NO-Sensor
Chlorine Cl ₂	1 ppm	0 ppm
Hydrogen Chloride HCl	5 ppm	< 1 ppm
Hydrogen Cyanide HCN	10 ppm	0 ppm
Ethylene C ₂ H ₄	100 ppm	0 ppm
Carbon Monoxide CO	300 ppm	0 ppm
Hydrogen Sulphide H ₂ S	15 ppm	5 ppm
Sulphur Dioxide SO ₂	5 ppm	0 ppm
Nitricogen Dioxide NO ₂	5 ppm	< 1.5 ppm
Hydrogen H ₂	100 ppm	0 ppm

Explosion-proof construction (Eex ia II C T6)

Certificate of conformity BVS No. 92.C.2008

The gas measurement probe of the series GSE ... Ex must be operated with a Zener barrier. The supply must be designed to be "intrinsically safe" and the colour must be blue.